

# PROGRESS

# ONE

## U.S.A VERSION

### MOUNTING , OPERATION AND MAINTENANCE INSTRUCTIONS

### ISTRUZIONI PER INSTALLAZIONE ,USO E MANUTENZIONE

### ISTRUCTIONS DE MONTAGE, UTILISATION ET MAINTENANCE

### INSTALLATIONS-,BEDIENUNGS- UND WARTUNGSHANDBUCHER FUR BOOTEINGENTUMER

### INSTRUCIONES PARA MONTAJE, USO Y MANTENIMIENTO

<b>GB</b>	Important informations	additional safety	pg.2	Installation	pg.3	Wiring diagram	pg.17
	Warranty		pg.2	Operations	pg.4	Exploded diagram	pg.18
	Model classification		pg.2	Maintenance	pg.4	Parts list	pg.19
	Electric plant		pg.2	Ordering spare parts	pg.4	Lofrans sales organization	pg.20
<b>I</b>	Informazioni sulla sicurezza		pg.5	Installazione	pg.6	Schema elettrico	pg.17
	Garanzia		pg.5	Uso	pg.7	Disegno esploso	pg.18
	Identificazione del modello		pg.5	Manutenzione	pg.7	Lista parti	pg.19
	Impianto elettrico		pg.5	Modalità di richiesta ricambi	pg.7	Organizzazione Lofrans'	pg.20
<b>F</b>	Informations concernant la sécurité		pg.8	Notice d' installation	pg.9	Schéma électrique	pg.18
	Garantie		pg.8	Utilisation	pg.10	Eclaté des pièces	pg.19
	Model classification		pg.8	Entretien	pg.10	Nomenclature des pièces	pg.20
	Branchement électrique		pg.8	Commande de pièces détachées	pg.10	Distributeurs Lofrans'	pg.21
<b>D</b>	Wichtige zusatzinformationen		pg.11	Einbauhinweise	pg.12	Schaltplan	pg.17
	Garantie		pg.11	Betriebsanleitung	pg.13	Ersatzteilliste	pg.18
	Modellbeschreibung		pg.11	Wartung	pg.13	Teile liste	pg.19
	Elektrische verbindungen		pg.11	Ersatzteilbestellung	pg.13	Lofrans' Händlerliste	pg.20
<b>E</b>	Información sobre seguridad		pg.14	Montaje	pg.15	Esquema eléctrico	pg.17
	Garantias		pg.14	Uso	pg.16	Esquema de piezas	pg.18
	Identificación del modelo		pg.14	Mantenimiento	pg.16	Despiece de los molinete	pg.19
	Instalación eléctrica		pg.14	Como pedir recambios	pg.16	Organización Lofrans'	pg.20

**WARNING !** your windlass is not designed as a strong point to fasten your anchor rode (chain or rope) to when the boat is laying on it's anchor and surging. The anchor rode must be fastened to a strong point such as mooring cleat, bollard or chain storage.

**WARNING !** do not exceed a pulling load more than the rating of your windlass. The vessel's engine be running and used to assist in the anchor recovery.

**WARNING !** always install the properly rated circuit breaker to protect the electric plant and electric motor from overheating and damages.

**WARNING !** when not in use be sure to keep the anchor windlass circuit switch in the **Off** position to prevent accidental engagement of the windlass.

**WARNING !** always keep your hands, feet and fingers clear of an operating windlass. If a jam occurs use extreme caution and turn off the windlass circuit before attending to clearing the anchor rode.

**WARNING !** do not use the windlass for different purposes it was designed for.

**WARRANTY**

Lofrans' s.r.l. warrants its products for a period of two (2) years from the date of purchase against defects in materials or workmanship , under normal use and service. Any part which proves to be defective in normal usage during that two years period will be repaired or replaced by Lofrans'. This warranty is subjected to the conditions listed below.

Seals , electric motors, electrical equipment, electronic controls are warranted for a period of one (1) year.

Lofrans' liability shall be limited to repair or replacement of the part defective in materials or workmanship.

Lofrans shall not be liable in any way for failures due to use of products in applications for which they are not intended , improper installation , misuse ,incorrect maintenance , corrosion , normal wear and tear , discoloration and unauthorised alteration of the product, conditions that exceed the product 's performance specifications.

The claim of warranty must be promptly notified in writing , to Lofrans or Lofrans' authorised distributor, providing proof of purchase. Repair will be under taken upon return of the defective part , freight prepaid to Lofrans or Lofrans authorised distributor. Lofrans or its authorised distributor will not be responsible for any shipping charges or labour cost associated with any warranty claims. Lofrans shall not be liable for consequential damages to yachts , equipment or other property or persons due to use or installation of Lofrans equipment. Implied warranties are limited to the life of this warranty. All incidental and/or consequential damages are excluded from this warranty. Some states do not allow limitations on how long an implied warranty lasts or the exclusion or limitation of incidental or consequential damages , so the above limitation or exclusions may not apply to you.

**Lofrans' reserves the right to disclaim the warranty in case the windlass is controlled by not suitable electric accessories and/or in case of non installation of a proper circuit breaker on the windlass electric line.**

**MODEL CLASSIFICATION**

FOR YOUR OWN SAFETY PLEASE READ THESE INSTRUCTIONS BEFORE INSTALLING OR OPERATING YOUR WINDLASS.

Fill in this form to obtain a complete classification of the installed model.

<b>MOTOR</b>	700 Watt 12 Volt	<input type="checkbox"/>	700 Watt 24 Volt	<input type="checkbox"/>
	1000 Watt 12 Volt	<input type="checkbox"/>	1000 Watt 24 Volt	<input type="checkbox"/>
<b>CHAIN</b>	Ø8 Iso-8 Din 766 Ø5/16" G40-BBB <input type="checkbox"/>			
<b>ROPE</b>	Ø14 - 16 mm Ø9/16" - 5/8" <input type="checkbox"/>			

**PURCHASE DATE & PLACE** .....

**NOTES** .....

**SERIAL NUMBER** .....

**ELECTRIC PLANT**

Check that the motor tension corresponds to the electric plant on board. The following table suggests the minimum battery feeding the windlass, the minimum cable section and the proper circuit breaker to install on the power line.

MOTOR	BATTERY	CABLES SECTION		CIRCUIT BREAKER
700 Watt 12 V	100 Ah	25 mm <sup>2</sup>	3 AWG	70 Amps
700 Watt 24 V	70 Ah	16 mm <sup>2</sup>	4 AWG	35 Amps
1000 Watt 12 V	150 Ah	35 mm <sup>2</sup>	2 AWG	100 Amps
1000 Watt 24 V	90 Ah	25 mm <sup>2</sup>	3 AWG	70 Amps

If the windlass is fed by an inferior battery , the performances will be worse and the battery will be subject rapidly to wear and tear. We recommend to use excellent quality cables , insulated and heat resistant. It is important underline the cables section should be increased of 30% - 50% approx., if the length of the extended cable , positive and negative , is greater than 10 mts. or 29' length. The cables connected to the electric controls , shown on the wiring diagram as a thin line , should have a section of 1.5 mm<sup>2</sup> or 16 AWG approx.

**Circuit breaker informations referring only to LOFRANS' circuit breaker so they could be incorrect for other circuit breakers.**

The circuit breaker protects from very dangerous short circuits , protects the windlass motor , avoiding damages due to anomalous absorption and interrupts the tension , when desired. The circuit breaker must be installed in a dry , accessible and visible position . For safety reasons we recommend that the windlass and remote controls are isolated during navigation and reactivated when anchoring. Install the control box preferably in a dry place on board. We recommend to install at least two remote controls to operate the windlass in case one of them gets damaged.

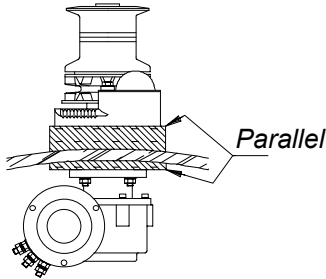
For protection of electric remote controls, it will be necessary to install a circuit breaker of 5 Ampere.

**We recommend You to use original LOFRANS' components only , which are designed for sea water purpose. LOFRANS equipment conforms to European Directives, products are CE approved.**

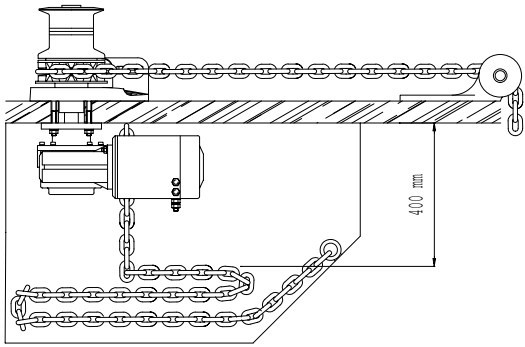
Check if the windlass is complete in every parts. If any parts is missing or damaged , please contact your dealer.

<b>TOOLS AND MATERIALS REQUIREMENTS</b>	Drill $\varnothing$ 9 mm (3/8"), Spanner 10 mm A/F - 13 mm A/F Jig Saw, Power Drill , Silicone Sealant
---	---

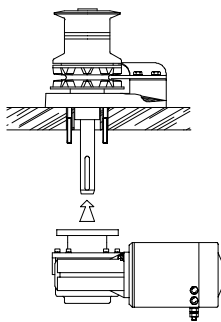
*The electric motor of the windlass is able to operate under spray conditions ; however , if submerged , it could be irreparably damaged.*



The PROGRESS model is made by a top part , including drum (274) , gipsy (512) and base (518), and an under deck part , the gearbox (305) and electric motor (315). Check there are no under and over deck obstructions. Be sure there is ample room to enable you to use the handle (272). In order to facilitate maintenance operations Lofrans suggests to install the windlass on a removable panel fixed on the deck by bolts. Standard maximum deck thickness is 40 mm (1 9/16") ; for deck exceeding this thickness , please consult your dealer. If the deck is too thin or inadequate , it will be necessary to use a backing pad (plywood , timber ) of sufficient dimensions to spread the stress imposed during recovery of chain. **To avoid electrolysis problems do not use stainless steel pad as backing pad.** For boats of steel or aluminium , it is very important that top and under deck parts are insulated from the deck with a non conductive gasket. It is essential that top and under deck parts are fitted parallel ; in some cases a mounting pad may be necessary. Incorect alignment may result in extra load being imposed on the motor causing loss of power and overheating with excess current consumption.



The windlass must be placed where the chain locker has the max depth. The top part must be located so that the chain runs parallel to the deck and turn around the gipsy with a rotation of 180° approx. Ensure the chain locker is of sufficient capacity to store all the chain and leave a minimum of 400 mm (16") between underside of the deck and the top of the heaped chain. When the position of the windlass has been set , drill the necessary holes , using the template we supply. Separate top and under deck part loosening the nuts (227) from the studs (292) and seal , using a good quality silicone sealant , the bottom of the base and around the studs. Place the top part on the deck.



Under deck part may be oriented in the most suitable of four positions. Check that the electric motor does not obstruct the run of the chain into the locker. Join the under deck part to the top part inserting the key (284) of the main shaft into the key way of the gearbox. Tight the nuts on the studs. Join the cables to the electric motor. Introduce the chain into the gipsy , operate the "UP" switch of the foot switch or remote control and the chain will automatically be fed into your locker. Take care to keep hands and feet well clear of incoming chain. If the windlass runs in wrong direction , change over M1 and M2 cables at the control box. After using the windlass , we strongly recommend that the nuts are checked again to ensure they are well tightened.

**WARNING ! = Do not approach with hands or feet near the gipsy and chain , when operating.**

**WARNING ! = When the windlass is not in use or before use the handle , turn the windlass off at the main switch.**

**WARNING ! = Engage the chain stopper after anchoring. Windlass must not be used as sole means securing anchor in bow fitting. Anchors should be independently secured to prevent accidental release .**

**WARNING ! = Be sure the clutch and the chain stopper are well engaged before boating.**

**Gipsy Clutch Operation - Low Profile**

Gipsy is connected to the main shaft (514) by a clutch, items (511 and 513).

To disengage the clutch insert the handle into the lock nut (508) and turn counter clockwise. Then insert the handle into the star shaped slot on the gipsy cap (519) and loosen it. To engage the clutch again tight the gipsy cap until you cannot move the handle any more. Anchor and/or chain provide resistance during the tightening process. Then engage the lock nut.

**Gipsy Clutch Operation - Standard**

Gipsy is connected to the main shaft (282) by a clutch , items (275 and 513).

To engage the clutch insert the handle supplied into the clutch nut (273) tighten it turning clockwise until you cannot move the handle any more.

To disengage the clutch loose the clutch nut turning counter clockwise.

**Raising The Anchor**

Start the engine of the boat. Be sure that the clutch is well engaged. Draw out the handle from the gipsy cap.

Push the button "UP" of the foot switch or remote control. **Do not use the windlass to pull the boat to the anchor.**

Release the button "UP" to stop the manoeuvre.

When you haul the last metres of the chain , pay attention to the anchor, which may damage the bow of your boat.

If case the anchor be stranded and the Lofrans circuit breaker gets released , wait some minutes before put it back into service and try the manoeuvre once more. Should the circuit breaker stop again , we suggest to fix the chain to a cleats or bollard , then use the boat engine to break the anchor loose.

For your safety we strongly recommend to turn **OFF** the circuit breaker and engage the chain stopper during navigation. Reactivate the circuit breaker and disengage the chain stopper before anchoring.

**Lowering The Anchor**

When you wish to lower the anchor very quickly , it is necessary disengage the clutch. The gipsy may freely run on its shaft and release the chain into the water. The chain fall can be controlled tightening the gipsy cap with the handle . At the end of the operation engage the clutch.

Under usual conditions , we suggest to lower the anchor electrically , pushing the button "DOWN" placed on the remote control or foot switch.

You will have always a perfect control of the manoeuvre , which can be interrupted any moment releasing the button "DOWN" .

Once anchored , we suggest in order to reduce the windlass load , to use a chain stopper and fix the chain with a rope to a strong point as a cleat.

**Use Of The Drum Independently From The Gipsy**

Stop the run of the chain , fasten it to a strong point as a chain stopper or similar. Disengage the clutch. Turn clockwise around the drum with two laps of rope. Keep the end of rope. Push the button "UP" , recovering the rope at the same time. Engage the clutch at the end of the operation.

**Raise The Anchor In Case Of Emergency**

Insert the emergency handle in the clutch nut or gipsy cap. Turn clockwise , overcoming a strength due to the spring (301). As there is no ratio , please keep in mind in case of deep anchoring the stress will be hard.

**MAINTENANCE**

**WARNING ! = Before operate turn the windlass off at the main switch and remove with attention the chain from the gipsy .**

A correct and periodic maintenance operation is essential for the best efficiency of your windlass. At least once every month remove the salt layer , which forms periodically on the outer casting , to avoid electrolysis problems which could prejudice the windlass performances. Wash with a fresh water and clean all the surfaces , particularly in the most hidden points , where salts deposits. We recommended , at least once every six months , to disassemble the windlass gipsy following the instructions below.

Standard version : with the handle unscrew (273) , remove (274, 275) then unscrew (515) , remove (516 and 517). Remove (275, 512) and extract (513).

Low profile version :with the handle unscrew (508), remove (509,510), unscrew (519), unscrew (515), remove (516 and 517).

Remove (511,512) and extract (513).

Clean and check all the parts , spray all with CRC 3097 "LONG LIFE" or WD40. Watch if there are no electrolysis traces and grease the main shaft thread.

After a long inactivity period , the electric motor could run slowly. We recommend to check and clear the brushes and replace it if necessary.

We strongly recommend to separate , at least once every year , the windlass from the deck to clean and remove the salt layer under the base.

The gearbox is proper filled with SAE 90 long life oil. If there is a leak of oil from the body , it will be necessary to disassemble and replace the seals.

For this purpose , it is available a complete set of seals . At the beginning and at the end of the season , check the motor and control box, removing eventual residues and covering the terminals with grease .

**ORDERING SPARE PARTS**

To identify a windlass spare parts see the spare part list. When ordering spare parts , please specify for the PROGRESS model the code **B.16.102A** , give us a complete model classification , the serial number , the item number and the quantity.

Contact the nearest authorised LOFRANS' distributor or directly LOFRANS' S.r.l. fax++ 39 (039) 2004299 .

**ATTENZIONE !** il salpa-ancore non è progettato per essere utilizzato come presa di forza a bordo dell'imbarcazione. La cima o la catena devono essere fissate a punti fissi come bitte o altro.

**ATTENZIONE !** non eccedere nel carico le prestazioni indicate. Vi suggeriamo di assistere il salpa-ancore durante l'operazione di recupero , dirigendo l'imbarcazione verso il punto di ancoraggio alla minima velocità.

**ATTENZIONE !** installare sempre un appropriato interruttore magneto-termico per proteggere il circuito ed il motore elettrico da surriscaldamento e danni.

**ATTENZIONE !** disattivare sempre il salpa-ancore quando non è in uso per prevenire azionamenti accidentali.

**ATTENZIONE !** sempre tenere mani, piedi e dita lontane dal salpa-ancore quando è in azione. Se la catena si incastra , disattivare il salpa-ancore e con estrema cautela , tentare di liberare la catena.

**ATTENZIONE !** non utilizzare il salpa-ancore per impieghi diversi o in modo differente rispetto a quanto previsto dal presente manuale.

**GARANZIA**

Lofrans' s.r.l. garantisce i propri prodotti per un periodo di due (2) anni dalla data di acquisto. La garanzia si limita alla sostituzione gratuita dei pezzi da noi riconosciuti difettosi all'origine e che dovessero pregiudicare il corretto funzionamento dell'apparecchio. La garanzia è soggetta alle condizioni sottoelencate.

Guarnizioni , motori elettrici , equipaggiamento elettrico e controlli elettronici sono garantiti per un (1) anno.

La responsabilità della Lofrans' e' limitata alla riparazione o alla sostituzione del particolare difettoso.

La Lofrans' esclude da garanzia danni o rotture derivate da impropria installazione , manomissione , incorretta manutenzione , uso errato o improprio o difforme dalle avvertenze riportate sul manuale d'istruzione , corrosione , normale usura , scoloritura e sostituzione di componenti o accessori originari con altri di tipo non approvato dal costruttore , condizioni che eccedano le specifiche di prestazione del prodotto.

La chiamata di garanzia deve essere prontamente notificata per iscritto alla Lofrans' o al suo distributore autorizzato allegando la prova di acquisto.

Il particolare ritenuto difettoso deve essere consegnato in porto franco presso le nostre officine di Monza. La Lofrans' s.r.l. non e' responsabile dei costi dovuti alla manodopera e/o al trasporto del pezzo. La Lofrans' s.r.l. declina ogni responsabilità per qualsiasi conseguenza o danno , diretto o indiretto , causato a persone o cose da difetti originari o da avarie dell' apparecchiatura o conseguente all 'uso o al mancato uso della stessa. La garanzia non prevede la sostituzione dell' apparecchiatura durante il periodo di riparazione.

**La Lofrans' s.r.l. si riserva il diritto di riconoscere la garanzia in caso il salpa-ancore sia comandato da componenti elettrici non adeguati , e/o in caso di mancata installazione di uno specifico interruttore magneto-termico sulla linea elettrica del salpa-ancore.**

Per ogni controversia e' competente il foro di Monza.

**CLASSIFICAZIONE DEL MODELLO**

VI PREGHIAMO DI LEGGERE ATTENTAMENTE LE ISTRUZIONI PRIMA DI INSTALLARE ED OPERARE CON IL SALPA-ANCORE.

Compilare e barrare l' apposita casella , per permettere una completa e sicura identificazione del modello installato.

<b>MOTORE</b>	700 Watt 12 Volt	<input type="checkbox"/>	700 Watt 24 Volt	<input type="checkbox"/>
	1000 Watt 12 Volt	<input type="checkbox"/>	1000 Watt 24 Volt	<input type="checkbox"/>
<b>CATENA</b>	Ø8 Iso-8 Din 766 Ø5/16" G40-BBB	<input type="checkbox"/>		
<b>CIMA</b>	Ø14 - 16 mm Ø9/16" - 5/8"	<input type="checkbox"/>		

**DATA E LUOGO D'ACQUISTO**

.....

**NOTE**

.....

**NUMERO DI SERIE**

.....

**IMPIANTO ELETTRICO**

Verificare che la tensione del motore elettrico del salpa-ancore corrisponda a quella dell' impianto di bordo. La tabella seguente mostra quale deve essere la capacità minima delle batterie , la sezione minima dei cavi e l' interruttore magneto-termico appropriato da installare sulla linea di potenza.

MOTORE	BATTERIA	SEZIONE CAVI		TERMICO
700 Watt 12 V	100 Ah	25 mm <sup>2</sup>	3 AWG	70 Amps
700 Watt 24 V	70 Ah	16 mm <sup>2</sup>	4 AWG	35 Amps
1000 Watt 12 V	150 Ah	35 mm <sup>2</sup>	2 AWG	100 Amps
1000 Watt 24 V	90 Ah	25 mm <sup>2</sup>	3 AWG	70 Amps

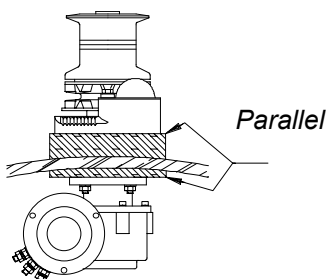
Se si alimenta il salpa-ancore con una batteria inferiore a quella espressa in tabella , può verificarsi un peggioramento delle prestazioni ed una più rapida usura della batteria. Usare cavi elettrici di buona qualità resistenti al calore. E' importante che la sezione dei cavi sia incrementata di circa il 30% - 50% qualora la lunghezza del cavo steso , negativo e positivo , superi i 10 metri di lunghezza. I cavi che alimentano i comandi elettrici , identificabili sullo schema elettrico con una linea sottile , devono avere una sezione di circa 1,5 mm<sup>2</sup>. **La portata dell' interruttore magneto-termico indicata in tabella è relativa all' interruttore magneto-termico LOFRANS'. Interruttori di altra provenienza potrebbe funzionare in modo non appropriato in quanto esistono svariati tipi di curve di risposta .** L' interruttore magneto-termico protegge da correnti di corto circuito , protegge il motore del salpa-ancore da danni dovuti a un anomalo assorbimento e toglie tensione al salpa-ancore ogni volta si desidera. L' interruttore magneto-termico deve essere installato in una posizione visibile e raggiungibile in quanto per ragioni di sicurezza , è vivamente consigliabile togliere tensione al salpa-ancore quando si è in navigazione e ridarla al momento dell' ancoraggio. Installare il control box in un luogo non umido a bordo dell' imbarcazione. Si consiglia di montare almeno due tipi di comandi per azionare il salpa-ancore anche in caso di avaria di uno degli stessi. Installarne uno accanto al salpa-ancore e uno presso la timoneria. Per la protezione dei comandi elettrici installare un fusibile da 5 Ampere. **Raccomandiamo di usare esclusivamente comandi elettrici originali LOFRANS' , studiati per l'uso marino . I prodotti LOFRANS sono conformi alle direttive della comunità europea.**

Controllare che il salpa-ancore sia completo nelle sue parti. Se manca qualcosa o se qualche parte risulta danneggiata contattate subito il vostro rivenditore.

## ATTREZZI E MATERIALI E RICHIESTI

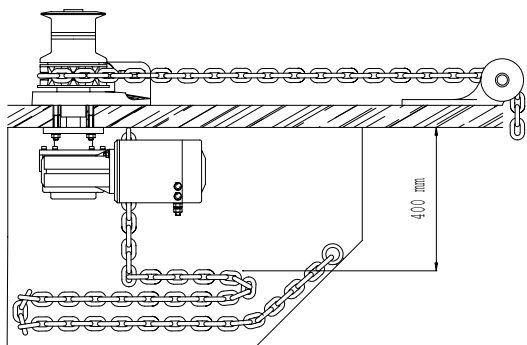
Punta da trapano  $\varnothing$  9 mm , Chiavi da 10 mm A/F - 13 mm A/F  
Sega Verticale , Trapano , Sigillante al Silicone

**Il motore elettrico del salpa-ancore è in grado di operare sotto spruzzi e ondate d'acqua. Se sommerso ripetutamente può danneggiarsi in maniera irreparabile.**

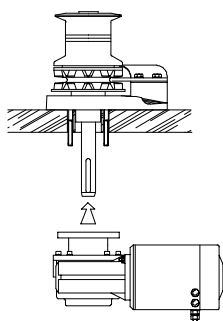


Il modello PROGRESS è costituito da due parti facilmente separabili : una parte superiore da installare sopra coperta che comprende la base (518) , il barbotin (512) e la campana (274) ed una parte inferiore che comprende il riduttore (305) ed il motore elettrico (315) da installare sotto coperta possibilmente in un luogo asciutto. Le due parti sono separabili svitando i dadi (227) dai relativi prigionieri (225). Controllare che non esistano ostacoli sopra e sotto coperta prima di installare il salpa-ancore. La parte inferiore può essere ruotata e fissata nella posizione più opportuna essendo provvista di quattro asole equidistanti. Assicurarsi che il motore non ostacoli il passaggio della catena nel gavone di prua. Assicurarsi che ci sia spazio sufficiente sulla coperta per operare con la leva. Per semplificare le operazioni di manutenzione consigliamo di installare il salpa-ancore su di un pannello removibile da fissarsi poi alla coperta della imbarcazione. Lo spessore massimo coi prigionieri standard è di 40 mm. Per spessori di coperta superiori consultate il nostro rivenditore. Se lo spessore risulta sottile occorre rinforzare il punto in cui si desidera installare il salpa-ancore con un pannello adeguato. **Per evitare fenomeni di corrosione non usare pannelli di rinforzo in acciaio inossidabile.**

E' importante che la parte superiore ed inferiore siano parallele tra loro. Nel caso ciò non avvenga interporre un supporto adeguato che compensi la mancanza di parallelismo. L' assenza di parallelismo può causare cali di potenza ed un maggiore assorbimento di corrente.



Il salpa-ancore deve essere posizionato in corrispondenza del punto di massima profondità del gavone di prua. Il barbotin va allineato col puntale di prua ; la parte superiore deve essere posta in modo che la catena scorrendo si mantenga parallela al piano della coperta ed avvolga il barbotin per un angolo di 180° circa. Stabilita la posizione ideale , praticare i fori necessari utilizzando la dima allegata. Separare la parte superiore da quella inferiore e siliconare con la massima attenzione il perimetro della base per evitare infiltrazioni di acqua salata. Il funzionamento ottimale si ottiene quando la catena entrando nel gavone ha una caduta minima di 400 mm misurati dal sotto coperta alla cima del mucchio di catena raccolta.



Collegare la parte inferiore a quella superiore infilando la chiavetta (284) dell' albero nel riduttore. Fissare il salpa-ancore serrando i dadi sui prigionieri . Collegare il motore elettrico al control box secondo schema elettrico. Introdurre la catena nel barbotin , azionare il pulsante "UP" del comando a piede o della pulsantiera e la catena sarà recuperata automaticamente nel gavone di prua. Evitare di avvicinare le mani e/o i piedi lungo la zona di scorrimento della catena e al barbotin. Se il salpa-ancore ruota nella direzione sbagliata invertire i cavi ai morsetti M1 con M2 del control box. Controllare che i dadi di fissaggio siano serrati dopo i primi ancoraggi.

**ATTENZIONE ! = Evitare di avvicinare le mani e/o i piedi lungo la zona di scorrimento della catena e al barbotin .**

**ATTENZIONE ! = Quando il salpa-ancore non è in uso o quando ci si appresta ad usare la leva , per evitare azionamenti accidentali togliere tensione alla linea elettrica collegata al salpa-ancore. Ricordarsi di ripristinare la tensione al salpa-ancore prima dell' uso .**

**ATTENZIONE ! = Ingaggiare il chain stopper dopo aver completato l'ancoraggio. Il salpa-ancore non deve essere usato come unico punto di presa nell' ancoraggio. L' ancora deve essere indipendentemente assicurata per prevenire rilasci accidentali.**

**ATTENZIONE ! = Prima di avviarsi alla navigazione serrare la frizione ed ingaggiare il chain stopper.**

### Uso Della Frizione - Low Profile

La frizione collega il barbotin all'albero principale (514) ed è composta dalle parti (511 e 513).

Per aprire la frizione inserire la leva nel dado di blocco (508) e allentare in senso anti-orario. Allentare il volantino copri barbotin (519).

Per serrare la frizione inserire la leva nel volantino copri barbotin (519) e avvitare in senso orario finchè con la leva non si possa girare ulteriormente.

Avvitare il dado di blocco ultimata l'operazione.

### Uso Della Frizione - Standard

La frizione collega il barbotin all'albero principale (282) ed è composta dalle parti (275 e 277).

Per serrare la frizione inserire la leva nel volantino (273) e avvitare in senso orario finchè la leva non possa muoversi ulteriormente.

Per aprire la frizione allentare il volantino.

### Come Salpare

Accendere il motore dell'imbarcazione. Assicurarsi che la frizione sia serrata ed estrarre la leva. Premere il pulsante "UP" del comando a piede o della pulsantiera. Avvicinarsi con l'imbarcazione a bassa velocità verso il punto di ancoraggio per aiutare il salpa-ancore ad eseguire la manovra. **Mai e in nessun caso farsi trascinare dal salpa-ancore verso il punto di ancoraggio.** La velocità di risalita della catena sarà proporzionale al peso sollevato. Rilasciare il pulsante "UP" per arrestare la manovra. Prestare la massima attenzione agli ultimi metri di catena per evitare che l'ancora possa danneggiare la prua dell'imbarcazione.

In caso l'ancora sia incagliata e l'interruttore magneto-termico sia scattato , aspettare qualche minuto prima di riarmarlo per riprovare la manovra.

Se l' interruttore magneto-termico scatta di nuovo , consigliamo di manovrare l' imbarcazione per disincagliare l' ancora. Prima di avviarsi in navigazione isolare il salpa-ancore dall' impianto elettrico portando l' interruttore magneto-termico in posizione **OFF** e bloccare l'ancora con un gancio di sicurezza.

### Come Calare

Per calare l'ancora manualmente aprire la frizione . In questo modo il barbotin sarà libero di girare sul proprio asse trascinando la catena in acqua.

La caduta della catena , può essere frenata ruotando la leva di emergenza in senso orario. Alla fine della operazione chiudere la frizione.

Per calare l' ancora elettricamente premere il pulsante "DOWN" posto sulla pulsantiera o sul comando a piede. Calando elettricamente si ha una perfetta padronanza della manovra , che può essere interrotta in ogni istante rilasciando il pulsante "DOWN". Una volta ancorati è molto importante ridurre lo sforzo sul salpa-ancore , bloccando la catena con un fermo o in alternativa legandola con una cima , ad un punto fisso.

### Uso Della Campana Indipendentemente Dal Barbotin

Bloccare il movimento della catena usando un fermo o legandola con una cima ad un punto fisso. Aprire la frizione. Avvolgere la campana con due giri di cima in senso orario mantenendo in tensione l'estremo della cima non impegnato nel recupero. Premere il pulsante "UP" recuperando nel contempo la cima.

### Salpare Manualmente In Caso Di Emergenza

Inserire la leva di emergenza nel volantino o nel volantino copri barbotin , ruotando in senso orario superando una certa resistenza dovuta al meccanismo interno. E' da tener presente che non esistendo una riduzione lo sforzo sarà notevole nel caso di ancoraggio su fondale profondo.

## MANUTENZIONE

**ATTENZIONE ! = Prima di compiere operazioni di manutenzione sul salpa-ancore togliere tensione alla linea elettrica collegata al salpa-ancore e rimuovere con attenzione la catena dal barbotin.**

La durata di un salpa-ancore dipende in modo rilevante da una corretta e periodica manutenzione. Almeno una volta ogni mese rimuovere lo strato di sale che si forma sulle superfici esterne del salpa-ancore , per evitare pericolosi fenomeni di corrosione che potrebbero pregiudicare l' integrità dell' apparecchio. Lavare con acqua dolce e pulire le superfici , in particolare quelle nascoste e difficilmente accessibili in cui il sale rimane imprigionato.

Almeno una volta ogni sei mesi smontare le parti esposte seguendo le istruzioni sottoelencate.

Versione Standard : con la leva svitare (273) , rimuovere (274 e 275) , svitare (515) , rimuovere (516 e 517). Rimuovere (512) ed estrarre (513).

Versione Low Profile : con la leva svitare (508) , rimuovere (509, 510), svitare (519), svitare (515), rimuovere (516 e 517). Rimuovere (512) ed estrarre (513).

Pulire e controllare tutti i particolari affinché non presentino inizi di corrosione e ingrassare il filetto dell'albero con grasso marino.

In caso di periodi di lunga inattività del salpa-ancore si consiglia di far girare il motore a vuoto per un paio di minuti nei due sensi . Se il motore elettrico gira con difficoltà si consiglia di pulire o sostituire le spazzole. Consigliamo vivamente di separare il salpa-ancore dalla coperta almeno una volta ogni anno per rimuovere i depositi salini che si formano sotto la base. Nel caso trafile olio dal corpo , a causa del deteriorarsi delle guarnizioni , è necessario smontare il riduttore per sostituire le guarnizioni. E' disponibile , a tale scopo , un kit completo di guarnizioni di ricambio. Rabboccare il corpo riduttore con olio tipo SAE 90. Controllare periodicamente lo stato dei morsetti del motore elettrico e del control box , rimuovendo eventuali depositi e cospargendo i morsetti con del grasso.

## PARTI DI RICAMBIO

Per riconoscere e identificare un particolare del salpa-ancore da sostituire esaminare il disegno esplosivo. All' atto dell'ordine specificare per il PROGRESS il codice esplosivo **B.16.102** , dare una completa identificazione del modello , il numero di serie , il numero del particolare da sostituire e la quantità.

In caso di difficoltà contattare il più vicino distributore Lofrans' o direttamente la Lofrans' al numero di fax (039) 2004299.

**AVERTISSEMENT !** Votre guindeau ne doit pas être utilisé comme attache pour votre chaîne ou corde d' ancrage quand le bateau est au mouillage. Toujours utiliser une attache tel que taquet, bitte d' amarrage ou un point d' attache dans le puits de chaîne.

**AVERTISSEMENT !** Ne pas dépasser la capacité nominale traction du guindeau. Nous vous conseillons d'utiliser le moteur du bateau comme aide a remonter l'ancre.

**AVERTISSEMENT !** Toujours utiliser un disjoncteur de la bonne valeur, pour protéger les câbles électriques et le moteur électrique du guindeau.

**AVERTISSEMENT !** Pour éviter l'utilisation accidentel du guindeau, toujours débrancher le guindeau sur le tableau électrique.

**AVERTISSEMENT !** Par mesure de sécurité, éloigner les mains , pieds et doigts d'un guindeau en utilisation. En cas de blocage, agir avec attention et débrancher le guindeau avant d' intervenir sur celui-ci.

**AVERTISSEMENT !** Ne pas utiliser le guindeau pour autre utilisation que celle prévues.

## GARANTIE

Lofrans' s.r.l. garantit ses produits por une durée de deux (2) annes à compter de la date d'achat contre tous défauts matériel ou de fabrication, dans des conditions normales d'utilisation et d'entretien. Toute pièce s'avérant défectueuse lors d'un usage normal pendant cette période d'un an sera réparée ou remplacée par Lofrans'. Cette garantie est soumise aux conditions ci-dessous.

Des joints, moteurs électriques, appareillage électrique, des commandes électroniques sont garantis por une période d'un (1) an.

La responsabilité de Lofrans sera limitée à la réparation ou au remplacement des parties présentant un défaut matériel ou de fabrication.

Lofrans ne sera responsable d'aucunne panne résultant de une utilisation des produits dans des applications pour laquelle ils n'ont pas été prévus , une installation défectueuse , un mauvais usage ou un entretien incorrect , une modification non autorisée du produit , la corrosion , l'usure normale ou la décoloration , une utilisation dans des conditions excédant les performances spécifiées pour le produit. La réclamation en garantie doit être notifiée rapidement et par écrit à Lofrans' ou à ses distributeurs autorisés, et accompagnée de la preuve de l'achat. La réparation sera prise en charge dès retour de la pièce défectueuse, en port payé, au distributeur Lofrans' autorisé. Lofrans' ou ses distributeurs autorisés ne supporteront aucun frais de transport ou coût de main d'ouvre liés à la demande en garantie. Lofrans' ne pourra être tenu responsable des dommages consécutifs survenant aux yachts, équipements ou autres biens ou personnes, du fait de l'utilisation ou de l'installation d'équipements Lofrans'. Les garanties tacites sont limitées à la durée de vie de la présente garantie. Tous les dommages incident et/ou consécutifs sont exclus de la présente garantie. Certains Etats n'autorisent pas de telles limitations de durée des garanties tacites, ni l'exclusion ou la limitation des dommages incidents et/ou consécutifs ; les présentes limitations ou exclusions peuvent , dans ce cas , ne pas vous être applicables. **Lofrans' se réserve le droit de rejeter la demande en garantie si le guindeau est commandé par des accessoires électriques non conformes et/ou en cas de non installation du disjoncteur adapté sur l' alimentation électrique du guindeau.**

## MODÈLE ET CLASSIFICATION

POUR VOTRE SÉCURITÉ, LISEZ ATTENTIVEMENT LA NOTICE AVANT L' INSTALLATION OU UTILISATION DE VOTRE GUINDEAU.

Remplissez ce document pour avoir la classification du guindeau installé

<b>MOTEUR</b>	700 Watt 12 Volt	<input type="checkbox"/>	700 Watt 24 Volt	<input type="checkbox"/>
	1000 Watt 12 Volt	<input type="checkbox"/>	1000 Watt 24 Volt	<input type="checkbox"/>
<b>CHAÎNE</b>	Ø8 Iso-8 Din 766 Ø5/16" G40-BBB	<input type="checkbox"/>		
<b>CORDAGE</b>	Ø14 - 16 mm Ø9/16" - 5/8"	<input type="checkbox"/>		

**LIEU ET DATE D'ACHAT** \_\_\_\_\_

**NOTES** \_\_\_\_\_

**NUMÉRO DE SÉRIE** \_\_\_\_\_

## BRANCHEMENT ÉLECTRIQUE

Vérifier que le voltage du moteur correspond à celui du système électrique à bord. Les tableaux ci-dessous indiquent les capacités minimales des batteries du guindeau , les sections de câbles minimales conseillées et les disjoncteur d' installer sur l' alimentation.

MOTEUR	CAPACITÉ	SECTION CÂBLES		CALIBRE
700 Watt 12 V	100 Ah	25 mm <sup>2</sup>	3 AWG	70 Amps
700 Watt 24 V	70 Ah	16 mm <sup>2</sup>	4 AWG	35 Amps
1000 Watt 12 V	150 Ah	35 mm <sup>2</sup>	2 AWG	100 Amps
1000 Watt 24 V	90 Ah	25 mm <sup>2</sup>	3 AWG	70 Amps

Si la batterie qui alimente le guindeau a une capacité moindre qu' indiqué dans les tableaux les performances seront dégradées et la batterie déchargera très rapidement. Nous conseillons l' utilisation de câbles électriques bonne qualité, isolés et résistants aux températures. Les valeurs de les sections de câbles devront être augmentées de 30% à 50% si le câbles positif et négatif sont rallongés plus de 10 mts. Les câbles de branchement des contrôles, indiqués dans le schéma de branchement doivent avoir une section de 1.5 mm<sup>2</sup> . **Les valeurs concernent uniquement les disjoncteurs LOFRANS et sont données à titre indicatif pour les disjoncteurs d' autres fabricants.** Le disjoncteur protège contre des courts-circuits dangereux , protège le moteur contre des dégâts dus aux consommations de courant anormales et coupe l' arrivée électrique du guindeau. Le disjoncteur doit être installé dans un endroit sec, accessible et être visible. Pour des raisons de sécurité nous conseillons que le guindeau et les organes de contrôles soient isolés pendant que le navire et ne soient activés qu' en cas de besoin. Le boîtier de contrôle composé de deux relais dans un boîtier spécial, doit être installé dans un endroit de préférences sec. Le boîtier a été conçu de façon a permettre le branchement rapide et simple des câbles électriques. Nous conseillons l' utilisation de deux commandes à distance en cas de panne sur un des contrôles du guindeau doivent être protégés par un disjoncteur de 5 ampères.

**Pous tous contrôles a distance, nous vous suggérons l' utilisation de pièces d' origine LOFRANS uniquement, ces pièces étant conçues pour utilisation marine. Le matériel de LOFRANS se conforme à CE .**

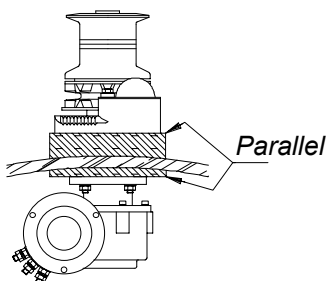


Vérifier que le guindeau est complet. S'il manque des pièces ou si des pièces sont endommagées, contacter votre distributeur.

**OUTILLAGE NÉCESSAIRE À L'INSTALLATION**

Mèche de  $\varnothing$  9 mm , Clés de 10 mm et 13 mm  
Scie sauteuse , Perceuse électrique , Mastic

**Le moteur électrique du guindeau fonctionne même sous les embruns. En revanche, toute immersion l'endommagera de manière irréversible.**

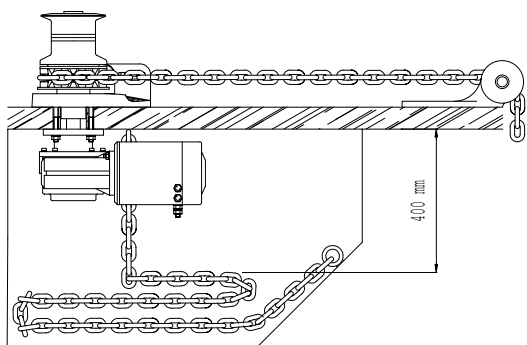


Le modèle PROGRESS est constitué de pièces sur le pont , poupée (274) , barbotin (512) et base (518), et de pièces sous le pont moteur électrique (315) et transmission (305). Séparer les éléments sur le pont des éléments sous le pont . Dévisser et retirer les écrous (227) des tiges filetées (225).

S'assurer que rien ne gêne sur le pont, qu'il y a suffisamment de place et que la manivelle (272) pourra être utilisée facilement. Les parties sous le pont peuvent être placées dans la position qui vous conviendra le mieux. Afin de faciliter l'entretien du guindeau, Lofrans conseille d'installer le guindeau sur une planche amovible qui est fixée sur le pont à l'aide de boulons/écrous. Pour un montage standard , le pont doit avoir un épaisseur maximum de 40 mm. Pour le ponts plus épais , consulter votre revendeur. Si le pont n'est pas assez épais ou pas assez solide il sera nécessaire d'utiliser une contre-plaque (contre-plaqué ou bois) de taille suffisante pour étaler la charge pendant la remontée de la chaîne.

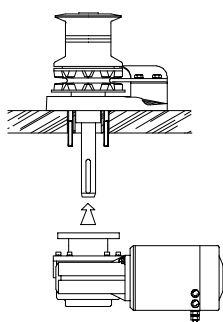
**Ne jamais utiliser de l'inox car cela pourrait provoquer de l'électrolyse.**

Dans le cas de bateaux en inox ou en aluminium, le corps et les éléments de fixation doivent être isolés du pont à l'aide de joints non conducteurs et d'isolateurs. Les éléments au-dessus et au-dessous du pont doivent être bien parallèles. Il peut parfois être nécessaire d'intercaler un support. En effet, tout mauvais alignement entraînera une surcharge pour le moteur, et donc une perte de puissance et une surchauffe due à une consommation excessive.



Lorsque la position du guindeau a été définie , percer les trous à l'aide du gabarit fourni.

Séparer les éléments sur le pont des éléments sous le pont et appliquer une bonne couche de mastic aux silicones sur le dessous de la base. Placer les pièces sur le pont. Les éléments au-dessus du pont doivent être placés de manière que la chaîne puisse passer librement parallèlement au pont et s'enrouler autour du barbotin avec une rotation de 180° environ. S'assurer que le puits à la chaîne a une capacité suffisante pour stocker la chaîne tout en laissant un minimum de 400 mm entre le dessous du pont et le point le plus haut de la chaîne.



Glissez l'ensemble moteur/transmission sur l'arbre. Assurez vous que la clavette d'entraînement (284) est bien en place. Raccorder les câbles électriques au moteur électrique. Introduire la chaîne dans le barbotin, actionner le poussoir "UP" et le cordage/ chaîne rentrera automatiquement dans le puits à chaîne. Faites attention de garder les pieds et les mains à l'écart de la chaîne en mouvement. Si le guindeau tourne dans le mauvais sens, inverser les câbles sur les bornes M1 et M2. Après les premières utilisations il est fortement conseillé de vérifier que les boulons/écrous de fixation sont bien serrés.

**AVERTISSEMENT!** = Pendant l'utilisation ne jamais approcher les mains et le pieds du barbotin ou de la chaîne.

**AVERTISSEMENT!** = Quand le guindeau n'est pas utilisé ou lors d'un remontée manuelle, couper l'alimentation électrique au disjoncteur.

**AVERTISSEMENT!** = Après avoir remonté l'ancre, toujours utiliser un bloquer de chaîne. Le guindeau ne doit jamais être utilisé comme le seul moyen de rétention de ancre dans le davier. Pour éviter de perdre l'ancre accidentellement, l'ancre doit être retenue indépendamment.

**AVERTISSEMENT!** = Embrayer le barbotin et activé le bloquer de la chaîne pendant la navigation.

### Embrayage Du Barbotin - Low Profile

Le barbotin est entraîné par l'axe (514) et par un embrayage, éléments (511 et 513).

Pour débrayer mettre la manivelle (272) dans la cloche (508) et tournez contre dans le sens des aiguilles d'une montre. Mettre la manivelle dans la cloche du barbotin (519) et dévisser. Pour embrayer, mettre la manivelle dans la cloche du barbotin et serrer en tournant dans le sens des aiguilles d'une montre jusqu'à ce que le manivelle ne puisse plus bouger. L' ancre et/ou la chaîne fournissent la résistance pendant le processus de serrage.

Mettre la manivelle dans la cloche (508) et serrer.

### Embrayage Du Barbotin - Standard

Le barbotin est entraîné par l'axe (282 ) et par un embrayage (275 et 277).

Pour embrayer, mettre la manivelle (272) dans la cloche (273) et serrer en tournant dans le sens des aiguilles d'une montre jusqu'à ce que le manivelle ne puisse plus bouger. Pour débrayer, tourner la cloche.

### Remontée De L' Ancre

Démarrer le moteur du bateau. S'assurer que l'embrayage est enclenché. Retirer la manivelle de la cloche. Appuyer sur la commande "UP" du poussoir à pied ou autre commande. **Ne jamais utiliser le guindeau pour tirer le bateau vers l'ancre.** Pour arrêter la montée de l'ancre relâcher le bouton.

Quand vous remontez les derniers mètres de chaîne, soyez attentif à l'ancre car elle pourrait endommager la proue du bateau.

Si l'ancre est coincée le disjoncteur se déclenchera; attendre quelques minutes avant de réarmer le disjoncteur et d'essayer à nouveau de remonter l'ancre. Si le disjoncteur déclanche à nouveau, nous vous conseillons d'attacher la chaîne à un taquet ou bitte d'amarage et d' utiliser le moteur du bateau pour libérer l'ancre. Pour votre sécurité nous vous conseillons de couper l'alimentation électrique du guindeau et de bloquer la chaîne pendant la navigation. Alimenter le guindeau et débloquer la chaîne uniquement pendant les phases de mouillage.

### Descente De L' Ancre

Quand vous voulez descendre l'ancre rapidement il est nécessaire de débrayer le barbotin. De cette façon, le barbotin tourne librement sur l'axe et laisse courir la chaîne dans l'eau. La descente de la chaîne peut être contrôlée en resserrant progressivement la cloche avec la manivelle. Une fois la chaîne sortie, resserrer la cloche pour embrayer. En temps normal nous vous conseillons de descendre l'ancre électriquement en appuyant sur le bouton "DOWN" des commandes. De cette façon, vous gardez le contrôle de la descente de l'ancre que vous pouvez interrompre à tout moment simplement en relâchant le bouton. Une fois mouillé, nous vous conseillons de bloquer la chaîne avec un cordage soit sur un taquet, soit sur une bitte d'amarage, afin de réduire la charge sur le guindeau.

### Utilisation De La Poupée Indépendamment Du Barbotin

Avant d'utiliser la poupée de cette façon, il est nécessaire d'arrêter la course de la chaîne. Desserrer l' embrayage, et passer deux tours de corde autour de la poupée et serrer l'extrémité libre du cordage. Presser le bouton "UP" tout en récupérant le cordage. Resserrer l'embrayage à la fin de l' opération.

### Remontée de l'ancre en cas d'urgence

En cas de défaillance de l' alimentation électrique du bord , il est possible de remonter l'ancre manuellement, en insérant la poignée de secours dans la cloche

o la cloche du barbotin et tournant dans le sens des aiguilles d'une montre. Dans la mesure où aucune démultiplication n'a lieu , l'effort sera important en cas d'amarage profond.

## ENTRETIEN

**AVERTISSEMENT!** = Avant d'intervenir sur le guindeau, couper l'alimentation électrique au disjoncteur et enlever la chaîne du barbotin .

Une bon entretien périodique est essentiel pour que votre guindeau reste efficace. Au moins une fois par mois enlever les dépôts de sel qui se forment sur le guindeau car cela peut créer de l' électrolyse et dégrader les performances du guindeau. Laver à l'eau douce toutes les surfaces en particulier les recoins où le sel se dépose. Nous vous conseillons de démonter le barbotin au moins une fois tous les six mois en suivant les instructions suivantes.

Standard version : a l'aide de la manivelle dévisser le pièces (273) , enlever (274 et 275) , dévisser (515) et enlever (516 , 517). Retirer (512 et 513). Low Profile - Sans poupée version : a l'aide de la manivelle dévisser le pièces (508), enlever (509,510), dévisser (519), dévisser (515) et enlever (516, 517). Retirer (512 et 513).

Nettoyer et vérifier tous les pièces, asperger avec un produit tel que CRC 3097 "Longlife" ou WD40. Vérifier qu'il n y a pas de traces d'électrolyse sur l'arbre et graisser le pas de vis. Si après une longue période d'inactivité le moteur tourne lentement nous vous conseillons de vérifier les charbons et de les remplacer si nécessaire. Il est fortement recommandé d'enlever le guindeau du pont au moins une fois par an et d'enlever les dépôts de sel qui se trouvent en dessous de la base. La carcasse est remplie d'huile SAE 90 - longue durée. S'il y a une fuite d'huile de la base il sera nécessaire d'enlever les joints et de les remplacer. Il existe un kit complet de joints pour chaque modèle. Au début et à la fin de chaque saison, vérifier le moteur et le boîtier de commande, enlever tous les résidus et couvrir les bornes avec de la graisse.

## POUR COMMANDER DES PIÈCES DÉTACHÉES

Pour identifier les pièces détachées du guindeau, se rapporter à la liste des pièces détachées. Quand vous commandez les pièces détachées, spécifier modèle PROGRESS code **B.16.102A** et nous donner le type exact du modèle, son numéro de série, le numéro de la pièce et la quantité.

Contactez votre distributeur agréé LOFRANS' le plus proche, ou directement à LOFRANS' Srl fax ++39 (039) 2004299.

**WARNUNG !** Die Winde ist nicht dazu geeignet , die Ankerkette zu halten , wenn das Boot vor Anker liegt. Sichern Sie die Kette an einer starken Belegklampe und nehmen die Last von der Ankerwinde.

**WARNUNG !** Beim Aufholen des Ankers empfehlen wir, Maschine zu Hilfe zu nehmen. Ziehen Sie sich nicht mit der Ankerwinde an den Anker heran !

**WARNUNG !** Bauen Sie eine geeignete Sicherung ein , um die Elektrokabel und den elektrischen Motor vor Überhitzung und Beschädigung zu schützen.

**WARNUNG !** Wenn die Winde nicht in Gebrauch ist, sollten Sie sicherstellen daß der **On/Off-Schalter** der Ankerwinde auf **Off** steht , um ein versehentliches Starten der Winde zu verhindern.

**WARNUNG !** Halten Sie stets Füße, Hände und Finger von einer laufenden Ankerwinde fern. Falls sich Seil verknottet, ist extreme Vorsicht geboten. Sie sollten zunächst die Sicherung der Ankerwinde ausschalten, bevor Sie die Ankerkette wieder klarieren. Benutzen Sie die Winde nicht für andere Zwecke als für die sie entwickelt wurde.

**GARANTIE**

Lofrans' s.r.l. gewährt Garantie gegen Material- und Verarbeitungsfehler bei normaler Benutzung und Beanspruchung für zwei (2) Jahr ab Kaufdatum. Jedes Teil ,das innerhalb eines Jahres bei normaler Benutzung und Beanspruchung defekt ist, wird von Lofrans' repariert oder ausgetauscht. Für diese Garantie gelten die untenstehenden Bedingungen :

Dichtungen, Elektromotoren, elektrische Ausrüstung, elektronische Kontrollen werden während einer Periode von einem (1) Jahr gewährleistet.

Lofrans' Haftung ist auf die Reparatur oder Ersatz des mit Material- oder Verarbeitungsfehler behafteten Teils beschränkt.

Lofrans übernimmt keinerlei Haftung für Fehler durch Benutzung von Produkten in Anwendungen , für die sie nicht vorgesehen wurden ,falsche installation , Mißbrauch , nicht korrekte Wartung , Korrosion , Verschleiß , Verfärbung , unerlaubte Änderungen dieses Produktes, Bedingungen , die Leistungsfähigkeit des Produktes übersteigen.

Die Garantieansprüche müssen Lofrans oder Ihrem Händler umgehend schriftlich unter Vorlage der Quittung angezeigt werden. Die Reparatur wird nach ausreichend frankierter Rücksendung an Lofrans' oder Ihrem Händler vorgenommen. Lofrans' oder Ihrem Händler übernimmt keinerlei Versandkosten oder Arbeitskosten, die mit Garantieansprüchen zusammenhängen. Lofrans' übernimmt keine Haftung für Schäden an Yachten, Ausrüstung oder anderem Eigentum oder an Personen, die aus dem Einbau oder der Benutzung von Lofrans' Ausrüstungen resultieren. Eingeschlossene Leistungen gelten längstens für die Dauer dieser Garantie. Alle Folgeschäden sind von dieser Garantie ausgeschlossen.

**Lofrans' behält sich vor , die Gewährleistung für den Fall abzulehnen daß die Winde mit nicht geeignetem Zubehör betrieben wird und/oder für den Fall, daß keine ausreichende elektrische Absicherung eingebaut wird.**

**MODELLBESCHREIBUNG**

Zu Ihrer eigenen Sicherheit lesen Sie bitte vor dem Einbau und der Benutzung Ihrer Winde diese Informationen.

Füllen Sie bitte dieses Formblatt aus , um eine komplette Beschreibung des verwendeten Modells zu haben.

<b>MOTOR</b>	700 Watt 12 Volt	<input type="checkbox"/>	700 Watt 24 Volt	<input type="checkbox"/>
	1000 Watt 12 Volt	<input type="checkbox"/>	1000 Watt 24 Volt	<input type="checkbox"/>
<b>KETTE</b>	Ø8 Iso-8 Din 766 Ø5/16" G40-BBB		<input type="checkbox"/>	
<b>ROPE</b>	Ø14 - 16 mm Ø9/16" - 5/8"		<input type="checkbox"/>	

**DATUM UND ORT DES KAUFES** .....

**BEMERKUNGEN** .....

**SERIENNUMMER** .....

**ELEKTRISCHE VERBINDUNGEN**

Prüfen Sie, ob die Motorspannung der Winde zu der Spannung auf Ihrer Boot paßt. Die folgende Übersicht zeigt die Mindestleistung der Windenbatterie , Kabelquerschnitt und Sicherung.

MOTOR	BATTERIE	KABELQUERSCHNITT		SICHERUNG
700 Watt 12 V	100 Ah	25 mm <sup>2</sup>	3 AWG	70 Amps
700 Watt 24 V	70 Ah	16 mm <sup>2</sup>	4 AWG	35 Amps
1000 Watt 12 V	150 Ah	35 mm <sup>2</sup>	2 AWG	100 Amps
1000 Watt 24 V	90 Ah	25 mm <sup>2</sup>	3 AWG	70 Amps

Wenn die Winde mit einer schwächeren Batterie als hier angegeben betrieben wird, ist die Leistung geringer und der Verschleiß größer. Wir empfehlen den Gebrauch bester Qualitäts-kabel, die isolieren und hitzebeständig sind. Der Kabelquerschnitt sollten um 30% - 50% erhöht werden, falls die Länge der Kabel , positiv un negativ , mehr als 10 Meter beträg. Die Kabel ,die mit elektrischen Schaltern verbunden sind (dargestellt durch dünne Linien im Schaltplan), sollten einen Durchmesser von ca.1.5 mm<sup>2</sup> haben. **Diese Leistungen beziehen sich nur auf Lofrans'-Sicherungen und treffen auf andere Sicherungen möglicherweise nicht zu.** Die Sicherung hat drei Funktionen , sie schützt vor gefährlichen Kurzschlüssen , sie schützt den Windenmotor vor Schäden durch übermäßige Stromaufnahme und sie unterbricht die Spannung zur Winde falls gewünscht. Die Sicherung muß an einem trockenen, zugänglichen und sichtbaren Platz installiert werden. Aus Sicherheitsgründen empfehlen wir, daß die Winde und die Fernbedienung während der Fahrt voneinander getrennt und während des Ankermanövers wieder miteinander verbunden werden. Sie sollten die Kontrollbox möglichst an einem trockenen Platz an Bord installieren. Wir empfehlen , mindestens zwei Fernbedienungen einzubauen , um die Ankerwinde auch dann noch steuern zu können , wenn eine von ihnen beschädigt werden sollte. Zum Schutz der elektrischen Fernbedienungen ist es notwendig , eine Sicherung von 5 Ampere einzubauen.

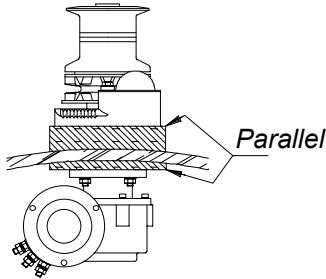
**Bezüglich elektrischer Fernbedienungen empfehlen wir Ihnen , ausschließlich Original Lofrans'-Komponenten zu verwenden, die für die Benutzung auf See entwickelt wurden Lofrans-Produkte entsprechen den EG-Normen und sind CE-geprüft.**

Überprüfen Sie, ob die Winde komplett geliefert wurde. Sollten Teile fehlen oder beschädigt sein, wenden Sie sich bitte an Ihren Händler.

**BENÖTIGTES WERKZEUG  
UND MATERIAL**

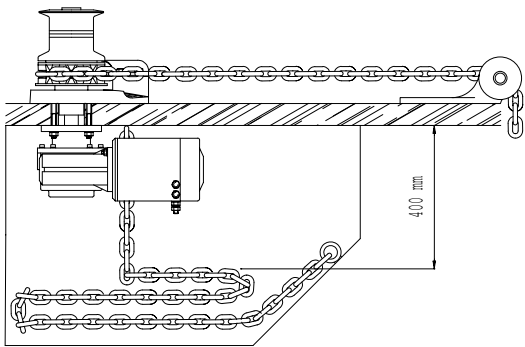
Bohrer Ø 9 mm , Schraubenschlüssel  
Stichsäge , elektrischer Boher , Silikonversiegelung

**Der Elektromotor verträgt Spritzwasser ; wird er jedoch unter Wasser gesetzt, ist er irreparabel beschädigt.**



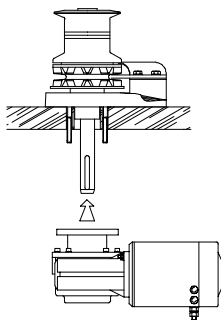
Die PROGRESS-Ankerwinde besteht im wesentlichen aus zwei Teilen : Der Überdeckseinheit und der Unterdeckseinheit mit Getriebebox und Motor. Um die Winde zu zerlegen , lösen Sie die Muttern (227) von den vier Stehbolzen (225). Der Einbau der Winde kann in vier möglichen Positionen erfolgen. Beachten Sie , daß der Motor den Lauf der Kette nicht behindert. Stellen Sie sicher, daß Sie genügend Platz haben, um die Handkurbel (272) für eine Notbedienung benutzen zu können. Um die spätere Wartung der Winde zu vereinfachen , empfiehlt Lofrans Ihnen , die Winde auf einem beweglichen Paneel zu montieren , das durch Bolzen am Deck fixiert wird. Die maximale Deckstärke

beträgt 40 mm. Bei großen Deckstärken fragen Sie bitte Ihren Händler. Bei dünneren Deckstärken kann es notwendig sein, Montageplatten aus Teak oder Sperrholz anzufertigen. **Um Elektrolyseprobleme zu vermeiden , sollten Sie keine Unterlage aus Edelstahl verwenden.** Bei Stahl- oder Alu-yachten ist es sehr wichtig , daß die Überdeck- und Unterdeckeinheit sowie die Befestigungsschrauben elektrisch isoliert vom Schiffskörper angebracht werden. Es ist sehr wichtig, daß die Überdeck- und Unterdeckeinheit parallel zueinander montiert werden. Hierzu kann es notwendig sein, entsprechende Montageplatten zum Ausgleich von Unebenheiten im Deck anzufertigen und zu verwenden.



Wenn Sie die korrekte Position der Winde gefunden haben, bohren Sie unter Verwendung der beiliegenden Einbausablonne die notwendigen Löcher. Wie oben beschrieben, demontieren Sie die Winde und dichten Sie die Unterseite der Basis sowie die Stehbolzen mit einer hochwertigen Dichtmasse ein. Die Platzierung der Winde muß so erfolgen, daß die Kette frei und parallel zum Deck geführt ist und der Umschlingungswinkel der Kette auf der Kettenuß mindestens 180° beträgt.

Beachten Sie, daß der Kettenkasten ausreichend groß dimensioniert ist, um die Kette aufnehmen zu können. Vergewissern Sie sich , daß der Ankerkasten groß genug ist um die gesamte Kette aufzunehmen und dabei noch eine Mindesthöhe von 400 mm zwischen Decksunterseite und der aufgestapelten Kette frei bleibt.



Beim Verschrauben der Unter- und Oberdeckeinheit beachten Sie, daß der Keil auf der Hauptwelle sauber in die Getriebeinheit eingeführt wird. Ziehen die Muttern an den Stehbolzen fest. Schließen Sie die Elektrokabel an den Motor an. Führen Sie das die Kette in die Kettenuß ein , betätigen Sie den "UP"-Schalter des Fußschalters oder der Fernbedienung. Die Kette wird dann automatisch in Ihren Ankerkasten geführt. Achten Sie darauf , Hände und Füße von der laufenden Kette fernzuhalten. Sollte die Winde in die falsche Richtung laufen , tauschen Sie die Kabel M1 und M2 an der Kontrollbox. Nach Benutzung der Ankerwinde empfehlen wir dringend , die Muttern zu kontrollieren und gegebenenfalls nachzuziehen.

**ACHTUNG!** = Halten Sie Hände und Füße von Kettenuß und Kette fern, wenn die Winde in Betrieb ist.

**ACHTUNG!** = Wenn die Winde nicht benutzt wird oder per Handkurbel bedient wird, unterbrechen Sie die Stromzufuhr durch Ausschalten der Sicherung.

**ACHTUNG!** = Betätigen Sie den Kettenstopper nach dem Ankern. Die Ankerwinde darf nicht als einziges Mittel zur Sicherung des Ankers im Bugbeschlag benutzt werden. Anker sollten unabhängig voneinander gesichert werden, um versehentliches Losmachen zu verhindern.

**ACHTUNG!** = Bevor Die Schiffantr Anzulassen, Die Kupplung Verschließen und das Kettenstopper in Dienst nehmen.

### **Benutzung Der Kettenuß-Kupplung - Low Profile**

Die Kettenuß wird durch eine Konenkupplung (teilen 275 und 277) beklemmt und mit der Hauptwelle (teil 514) verbunden. Um die Kupplung zu lösen setzen Sie den Handkurbel in die Kontermutter (508) ein und drehen Sie sich entgegengesetzt nach rechts. Setzen Sie dann den Handkurbel in den Stern geformten Schlitz in der Kettenuß muttern (519) lösen sie ein. Die Kupplung wieder einrasten fest die Kettenuß muttern, bis Sie nicht den Handkurbel irgendwie verschieben können mehr. Anker und/oder Kette stellen Widerstand w:ahrebd des festziehenprozesses zur Verfügung. Engagieren Sie sich die Kontermutter.

### **Benutzung Der Kettenuß-Kupplung - Standard**

Die Kettenuß wird durch eine Konenkupplung (teilen 275 und 277) beklemmt und mit der Hauptwelle (teil 282) verbunden. Um die Kupplung zu verschließen, die Handkurbel in Muttern (teil 273) einfügen, und im Uhrzeigersinn einschrauben, bis die Handkurbel nicht sich verschieben kann. Um die kupplung zu öffnen Muttern lockern.

### **Heben Des Ankers**

Starten Sie den Motor Ihres Schiffes. Vergewissern Sie sich, daß die Kupplung angezogen ist und ziehen Sie den Notgriff aus der Kupplungsmutter. Betätigen Sie den "UP"-Schalter Ihrer Fernbedienung. **Benutzen Sie die Winde nicht, um das Boot an den Anker zu ziehen.**

Die Aufholgeschwindigkeit paßt sich an das zu hebende Gewicht an. Lassen Sie den "UP"-Schalter los, um das Manöver zu beenden. Wenn Sie die letzten Meter der Kette hochziehen, reduzieren Sie die Geschwindigkeit der Winde und achten Sie auf den Anker. Falls der Anker zu schnell hochgezogen wird, könne er den Bug Ihres Bootes beschädigen. Für den Fall daß der Anker auf Grund sitzt und die Lofrans-Sicherung ausgelöst wird, empfehlen wir, einige Minuten zu warten, bevor Sie wieder einschalten und das Manöver nochmals versuchen. Sollte der Motor wieder stoppen, empfehlen wir, daß Sie die Kette am Stopper oder einem Poller festmachen und den Bootsmotor benutzen um den Anker zu lösen.

Aus Sicherheitsgründen empfehlen wir Ihnen dringend, des Sicherungsschalter auf **OFF** zu schalten und den Kettenstopper während der Fahrt einzuschalten. Während des Anker-manövers schalten Sie den Stromunterbrecher wieder ein und den Kettenstopper aus.

### **Herunterlassen Des Ankers**

Wenn Sie den Anker sehr schnell herunterlassen möchten, ist es nötig auszukuppeln. Auf diese Art kann die Kettenuß auf der Welle frei laufen und die Kette ins Wasser lassen. Der Fall der Ankerkette kann durch Drehen des Notgriffes im Uhrzeigersinn gestoppt werden. Am Ende dieses Vorgangs kuppeln Sie ein. Unter normalen Umständen empfehlen wir, den Anker elektrisch herunterzulassen, indem der DOWN-Schalter der Fernbedienung oder des Fußschalters benutzt wird. Wenn Sie den Anker auf diese Weise herunterlassen, haben Sie größtmögliche Kontrolle über Ihr Manöver, da Sie es jederzeit durch Loslassen des DOWN-Schalters unterbrechen können. Wenn Sie von Anker gegangen sind, empfehlen wir Ihnen einen Kettenstopper zu benutzen und die Kette mit einem Seil an einer Klampe oder einem Poller festzumachen, um die Last der Winde zu nehmen.

### **Gebrauch der Trommel**

Stoppen Sie den Durchlauf der Kette, befestigen Sie ihn an einem starken Punkt als Kettenstopper oder ähnlich. Lösen Sie die kupplung. Drehen Sie nach rechts um die Trommel mit zwei Schößlen des Seils. Halten Sie das Ende de Seils. Betätigen Sie die Taste "UP" und das Seil gleichzeitig wiederherstellen. Rasten Sie die Kupplung am Ende der Operation ein.

### **Heben Sie Den Anker Im Notfall An**

Setzen Sie den Nothandgriff in der Kupplung Mutter oder Zigeunerschutzhülle ein. Drehen Sie nach rechts und eine Stärke wegen des Frühlinges überwinden. Da es kein Verhältnis gibt, halten Sie bitte im Verstand, falls von tief befestigen der Druck hart ist.

## **WARTUNG**

**WARNUNG!** = Von allen Wartungsarbeiten an der Winde unterbrechen Sie die Stromzufuhr, indem Sie den Stromunterbrecher auf OFF stellen und entfernen Sie vorsichtig die Kette von der Kettenuß und das Tau von der Trommel.

Eine korrekte und regelmäßige Wartung ist unabdingbar für die volle Leistungsfähigkeit Ihrer Winde. Entfernen Sie die Salzschrift, die sich regelmäßig auf dem äußeren Gehäuse absetzt, mindestens einmal im Monat, um Elektrolyseprobleme zu vermeiden. Reinigen Sie die Oberflächen-vor allem die schwer zugänglichen Stellen, an denen sich Salz ablagert-mit klarem Wasser. Wir empfehlen, mindestens alle sechs Monate die Kettenuß und die Trommel wie folgt auseinander zu bauen.

Standardversion : Schrauben Sie Teil 273 los, entfernen Sie Teil 274 und 275. Lösen Sie Teil 515 entfernen Sie Teil 516 und 517 entfernen Sie Teil 512 und 513.

Flachversion : mit dem Notgriff lösen Sie Teil 508, entfernen Sie Teil 509 und 510. Lösen Sie Teil 519. Lösen Sie Teil 515 entfernen Sie Teil 516, 517 und 511 ziehen Sie Teil 512 und 513 heraus.

Reinigen und überprüfen Sie alle Teile und sprühen Sie anschließend mit CRC 3097 "LONG LIFE" oder WD40 ein.

Achten Sie darauf, daß keine Elektrolyse-Spuren vorhanden sind und fetten Sie das Gewinde der Hauptwelle. Falls der Elektromotor nach längerer Zeit der Nichtbenutzung langsam läuft, empfehlen wir, die Kohlebürsten zu kontrollieren und, wenn nötig auszutauschen. Falls die Getriebebox und der Elektromotor in der feuchten Umgebung eines Kettenkastens installiert sind, empfehlen wir Ihnen dringend, mindestens einmal jährlich die Unterdeckeinheit zu demontieren und gründlich zu reinigen, um Salzablagerungen von der Getriebebox und vom Sockel zu entfernen.

Das Getriebegehäuse ist gefüllt mit SAE 90 long life öl. Falls aus der Getriebebox öl ausläuft muß diese auseinander gebaut werden und die Dichtungen müssen ausgetauscht werden. Komplette Dichtungssätze sind zu diesem Zweck verfügbar. Zu Beginn und zum Ende der Saison untersuchen Sie den Motor und die Kontrollbox entfernen Sie eventuell vorhandene Ablagerungen und fetten Sie die Klemmen ein.

## **ERSATZTEILBESTELLUNG**

Sehen Sie in die Ersatzteilliste um Windenersatzteile zu bestimmen. Wenn Sie Ersatzteile bestellen, nennen Sie für das Modell PROGRESS unbedingt den Code **B.16.102**. Nennen Sie uns eine komplette Modellbeschreibung, die Seriennummer, die gewünschten Teile und die Anzahl. Falls Sie Fragen haben, wenden Sie sich bitte an Ihren Händler oder direkt an Lofrans S.r.l. Fax ++39 (039) 2004299.

**ATENCIÓN !** Su molinete no ha sido diseñado como punto de amarre de su ancla (cadena o cabo) cuando está anclado. El ancla debe sujetarse a una cornamusa , bita, etc.

**ATENCIÓN !** No exceder la capacidad nominal de carga de molinete. Aconsejamos utilizar el motor de la embarcación como ayada para recuperar el ancla.

**ATENCIÓN !** Utilizar siempre un magnetotermo apropiado para proteger los cables eléctricos y el motor.

**ATENCIÓN !** Para evitar la puesta en marcha accidental , desconectar siempre el molinete.

**ATENCIÓN !** Por razones de seguridad no acercar las manos , dedos y pies al molinete cuando esté en funcionamiento. En caso de bloqueo desconectar el molinete antes de intentar repararlo.

**ATENCIÓN !** No debe utilizarse el molinete para trabajos distintos del que fue diseñado.

**CONDICIONES DE GARANTÍA**

Lofrans' s.r.l. garantiza todos sus productos por un periodo de dos (2) años desde la fecha de compra. La garantía se limita a la sustitución de la pieza defectuosa de origen y no al incorrecto uso del aparato. La garantía está supeditada a las condiciones siguientes.

Los sellos, motores eléctricos, equipo eléctrico, los controles electrónicos se garantiza por un período de un (1) año.

La responsabilidad de Lofrans' se limitará a la reparación o cambio de la pieza defectuosa.

Lofrans' no garantiza la rotura o averia debidas a instalación defectuosa, mal trato , mala consevación , uso incorrecto o impropio al especificado en el manual de instrucciones , corrosión , cambio de componentes o accesorios no autorizados por el constructor , condiciones que excedan las prestaciones del producto.

La reclamación deberá comunicarse de inmediato por escrito a Lofrans' o al distributor autorizado. Lofrans' o su distributor no serán responsables de los gastos de envío o mano de obra de la reclamación de garantía.

Lofrans' declina cualquier responsabilidad por los daños, por el uso o instalación de sus productos causados sobre personas , embarcaciones o cosas. Todas las responsabilidades estarán limitadas al tiempo de validez de la garantía.

**Lofrans' s.r.l. se reserva el derecho de reconsiderar la garantía en el supuesto que los componentes eléctricos no sean los adecuatos o por la falta del magnetotermo en la instalación eléctrica.**

**IDENTIFICATION DE MODELO**

Leer estas instrucciones antes de iniciar la instalación y puesta en marcha. Llenar este formulario para tener el detalle completo del modelo instalado.

<b>MOTOR</b>	700 Watt 12 Volt	<input type="checkbox"/>	700 Watt 24 Volt	<input type="checkbox"/>
	1000 Watt 12 Volt	<input type="checkbox"/>	1000 Watt 24 Volt	<input type="checkbox"/>

**CADENA**                      Ø8 Iso-8 Din 766    Ø5/16" G40-BBB   

**ROPE**                            Ø14 - 16 mm    Ø9/16" - 5/8"                     

**LUGAR Y FECHA DE COMPRA** .....

**NOTAS** .....

**NUMERO DE SERIE** .....

**PLANO ELECTRICO**

Comprobar que la tensión del motor corresponde a la de abordó. Las baterías , las seccion cable mínimas y el disyuntor son :

MOTOR	BATERIA	SECCION CABLE	DISYUNTOR
700 Watt 12 V	100 Ah	25 mm <sup>2</sup> 3 AWG	70 Amps
700 Watt 24 V	70 Ah	16 mm <sup>2</sup> 4 AWG	35 Amps
1000 Watt 12 V	150 Ah	35 mm <sup>2</sup> 2 AWG	100 Amps
1000 Watt 24 V	90 Ah	25 mm <sup>2</sup> 3 AWG	70 Amps

Si el molinete se alimenta de una batería inferior, su funcionamiento será defectuoso y la batería se estropeará rápidamente. Aconsejamos instalar cables de gran calidad , aislantes y resistentes al calor. Es importante si la distancia de los cables es mayor de 10 mts. (29') estos valores se incrementarán dell 30% - 50%. Los cables conectados a los mandos eléctricos que aparecen en el esquema con una raya fina , deberán ser de 1.5 mm<sup>2</sup> ó 16 AWG aprox.

**Estos valores se refieren solamente a los disyuntores Lofrans' y pueden no ser correctos para otros disyuntores.**

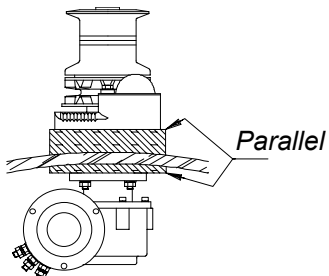
El disyuntor debe instalarse en un lugar seco , y de fácil acceso. Por razones de seguridad le aconsejamos que el circuito esté desconectado durante la travesía y conectado de nuevo para fondear. Instalar la caja de control preferemente en un lugar seco. Aconsejamos instalar dos mandos a distancia para poder accionar el molinete en caso de avería de uno de ellos. Como protección del mando a distancia es necesario instalar un disyuntor de 5 Amps. Para todos los mandos a distancia aconsejamos instalar solamente componentes originales Lofrans' pues han sido diseñados para ambiente marino.

**Todos los productos Lofrans' cumplen las Directrices Europeas y tienen la certificación CE.**

Comprobar que el molinete está completo. Si falta alguna pieza o alguna está defectuosa , deben reclamar a su proveedor.

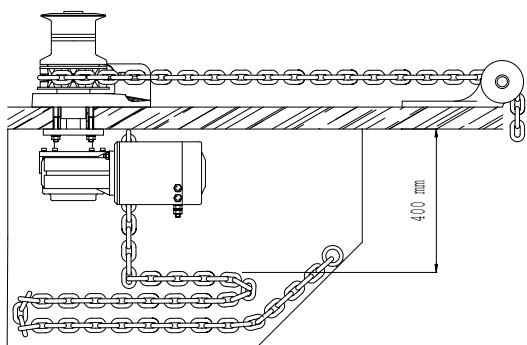
<b>HERRAMIENTAS Y MATERIALES NECESARIOS</b>	Broca Ø 9 mm , Llave 13 mm Sierra , Taladro , Silicona
---	---

**El motor eléctrico puede trabajar con salpicaduras , pero si se sumerge quedará irreparable.**

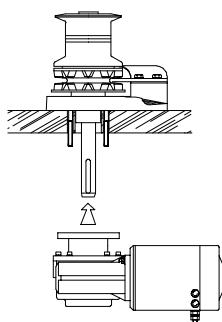


El modelo PROGRESS se compone de dos partes. La superior que incluye la campana (274) , barboten (512), base (518) y la parte bajo cubierta , con el reductora (305) y el motor (315). Para separar ambas partes , sacar las tuercas (227) de los pernos (225). Asegurarse que no haya obstáculos bajo cubierta y espacio suficiente para mover la palanca (272). La parte inferior podrá orientarse en cualquiera de las cuatro posiciones. Evitar que el motor obstruya la caída de la cadena a la caja. Comprobar que hay suficiente espacio para utilizar la palanca. Con el fin de facilitar su mantenimiento , Lofrans' sugiere instalar el molinete sobre una base desmontable, fijada sobre la cubierta con pernos. El grueso máximo de la cubierta para el montaje estandar es de 40 mm. Para cubiertas de mayor grosor , consultar con su proveedor. En el supuesto de una cubierta muy delgada , será necesario poner una placa que pueda soportar el esfuerzo que realiza el molinete al levar el ancla. **Para evitar el problema de la electrolisis , no deben utilizarse placas de acero inox bajo cubierta.**

Para cascos de acero o aluminio es muy importante que la parte superior, la parte inferior y los pernos sean aislados de la cubierta con un ajunta no conductiva y con aisladores. Es muy importante que la parte superior e inferior se fijen en paralelo. En algunos casos se precisará una placa. Un alineamiento incorrecto se produce a veces debido al peso del motor , ocasionando pérdida de potencia , sobrecalentamiento y exceso de consumo.



Cuando se ha elegido el lugar a instalar el molinete , hacer los agujeros con la plantilla que se facilita. Separar la parte superior de la inferior y sellar con una buena silicona el fondo de la base y los pernos. Colocar la parte superior sobre cubierta de manera que la cadena corra paralela a la misma y que gire sobre el barboten 180° aprox. Comprobar que la caja de cadena tiene capacidad suficiente para almacenar toda la cadena y quede un espacio mínimo de 400 mm , entre la cubierta y la parte superior de la cadena estibada.



Unir la parte inferior y superior , colocar la chaveta (284) del eje principal en la entrada de la reductora. Fijar las tuercas a los pernos. Instalar los cables electricos al motor. Colocar la cadena en el barboten y apretar el interruptor "UP" y la cadena caerá en la caja de la cadena. No acercar las manos ni los pies a la cadena cuando funciona. Si el molinete gira en sentido contrario , cambiar los cables M1 y M2 en la caja de control. Después de utilizar el molinete aconsejamos verificar que las tuercas están fijas.

**ATENCIÓN ! = No acercar los pies ni las manos al barboten o cadena cuando esté en funcionamiento.**

**ATENCIÓN ! = Cuando no se utilice el molinete o se haga manualmente debe desconectarse el magnetotermo.**

**ATENCIÓN ! = Fijar la cadena despues de fondear. El molinete no debe ser el único seguro del ancla sobre la puntera. El ancla debe asegurarse independientemente para prevenir la caída accidental.**

**ATENCIÓN ! = Fijar la cadena durante la travesía.**

#### **Funcionamiento Del Embrague Del Barboten - Bajo Perfil**

El barbotén está conectado al eje principal (514) a través del embrague (511 y 513).

Para desembragar colocar la palanca (272) en la tuerca de fijación (508) y girar al revés en sentido de las agujas del reloj. Colocar la palanca en la tuerca formada estrella del casquillo del barbotén (519) lo aflojan. Para embragar girar la palanca en sentido de las agujas del reloj hasta que no pueda más.

El ancla y/o la cadena proporcionan a resistencia durante el proceso de ajuste. Contrate la tuerca de fijación.

#### **Funcionamiento Del Embrague Del Barboten - Standard**

El barbotén está conectado al eje principal (282) a través del embrague (275 y 277). Para embragar colocar la palanca (272) en la tuerca del barboten (273) girar en sentido de las agujas del reloj hasta que no pueda más. Para desembragar girar al revés.

#### **Levar El Ancla**

Poner en marcha el motor de la embarcación. Asegurarse que esté bien embragado. Sacar la palanca de la tuerca del barboten. Pulsar "UP" del interruptor o del mando a distancia. **No debe utilizarse el molinete para acercar la embarcación al ancla.** Soltar el botón "UP" para detener la maniobra. Cuando leve los últimos metros de cadena, vigilar el ancla que puede dañar la proa de la embarcación. Si el ancla se para y el magnetotermo se desconecta esperar algunos minutos antes de conectarlo de nuevo y probar la maniobra otra vez. Si el magnetotermo salta, sugerimos fijar la cadena a una bita y utilizar el motor de la embarcación para recuperar el ancla. Para su seguridad le aconsejamos encarecidamente desconectar el molinete y fijar la cadena durante la travesía.

Conectar de nuevo el magnetotermo y liberar la cadena antes de fondear.

#### **Bajar EL Ancla**

Para largar el ancla muy deprisa, es necesario desembragar y el barbotén girará libremente y dejará caer la cadena en el agua. La caída puede ser controlada apretando la tuerca del barbotén con la palanca. Al acabar el fondeo, embragar de nuevo: En condiciones normales aconsejamos fondear eléctricamente, pulsando "DOWN" del interruptor o del mando a distancia, teniendo así un control perfecto de la maniobra y poder parar en cualquier momento, dejando el mando "DOWN". Una vez fondeado, sugerimos fijar la cadena para reducir el esfuerzo del molinete.

#### **Como Utilizar La Campana Independientemente Del Barbotén**

Fijar la cadena al retenedor, bita y desembregar. Colocar dos vueltas de cabo en la campana y accionaria tirando del extremo del cabo. Pulsar "UP" cobrando el cabo al mismo tiempo. Embragar de nuevo al acabar la maniobra.

#### **Levar El Ancla En Caso De Emergencia**

Colocar la palanca en la tuerca del embrague del barboten y hacerla girar en el sentido de las agujas del reloj, venciendo la resistencia del muelle (). Como no hay reductora, recordar que en fondeos profundos el esfuerzo será grande.

## **MANTENIMIENTO**

**ATENCIÓN ! = Antes de empezar, desconectar el molinete y sacar con cuidado la cadena del barboten.**

Un mantenimiento periódico del molinete es esencial para su perfecto funcionamiento: Al menos una vez al mes debe sacarse la sal que se adhiere a la carcasa, para evitar la electrolisis que podría perjudicar su conservación. Lavar con agua dulce todas las superficies, en especial los rincones donde se deposita la sal. Recomendamos desmontar el barboten, al menos una vez cada seis meses, siguiendo las instrucciones.

Version standard : con la maneta aflojar (273) y sacar (274 y 275). Aflojar (515) y sacar (516 y 517). Sacar (512 y 513).

Version bajo perfil : con la maneta aflojar (285). Aflojar (515) y sacar (516 y 517). Sacar (512 y 513).

Limpiar y comprobar todas las piezas y rociarlas con CRC o WD40. Verificar si existen evidencias de electrolisis y engrasar la rosca del eje principal.

Si después de un largo período de inactividad el motor funciona lentamente, recomendamos comprobar y limpiar las escobillas o cambiarlas si es preciso.

Aconsejamos desmontar el molinete de la cubierta, al menos una vez cada año, para limpiar la sal de la base. El molinete contiene aceite SAE 90 de larga vida. Si hay una fuga en el cuerpo, deberá desmontarse y cambiar los rotenes. Para ello estación, comprobar el motor y la caja de control, limpiar cualquier residuo y engrasar los bornes.

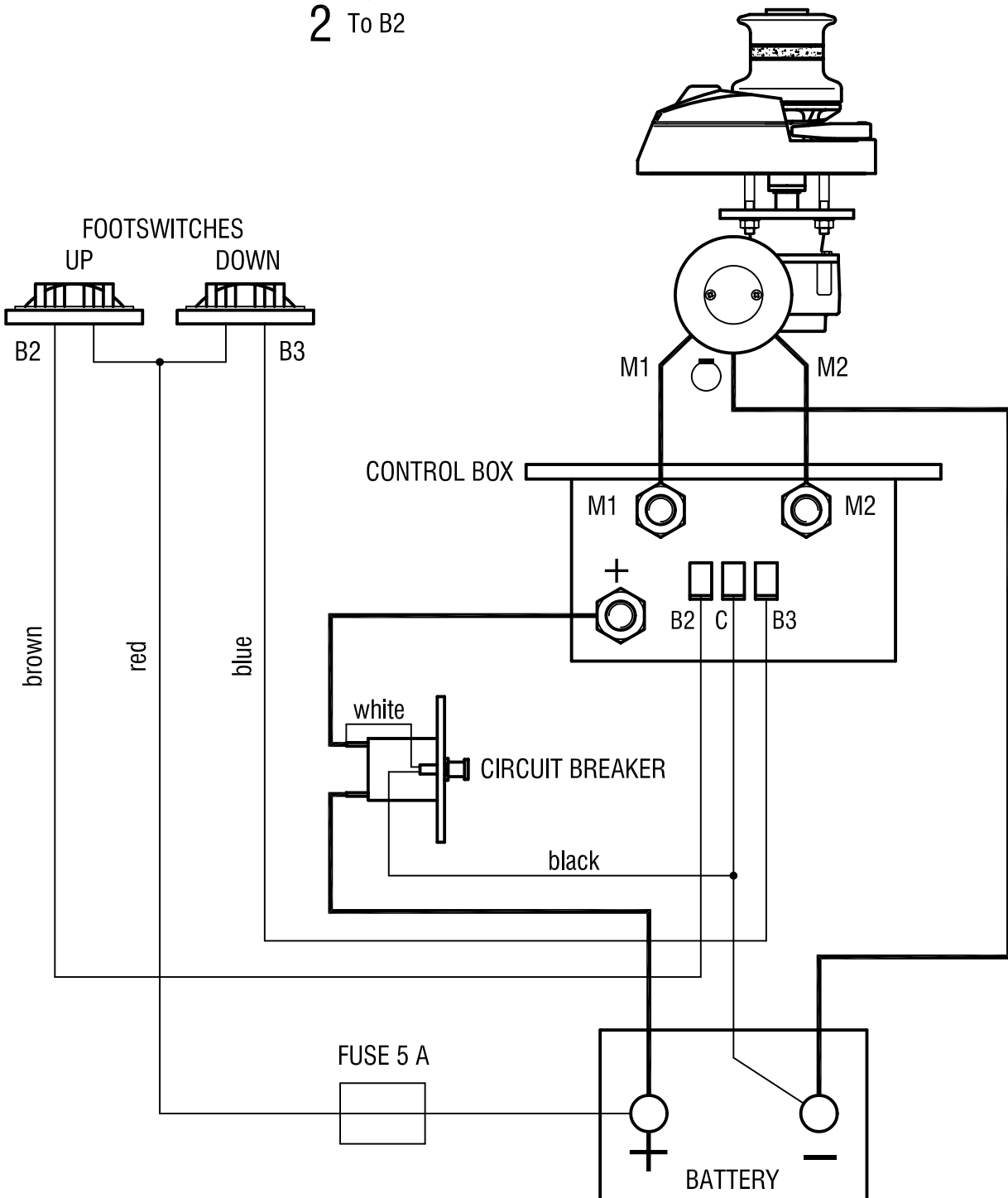
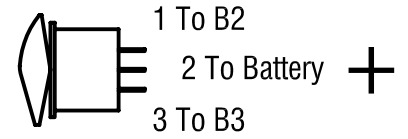
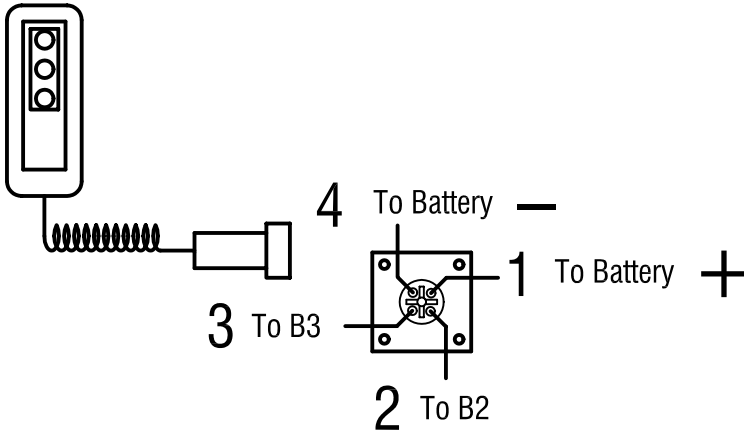
## **COMO PEDIR RECAMBIOS**

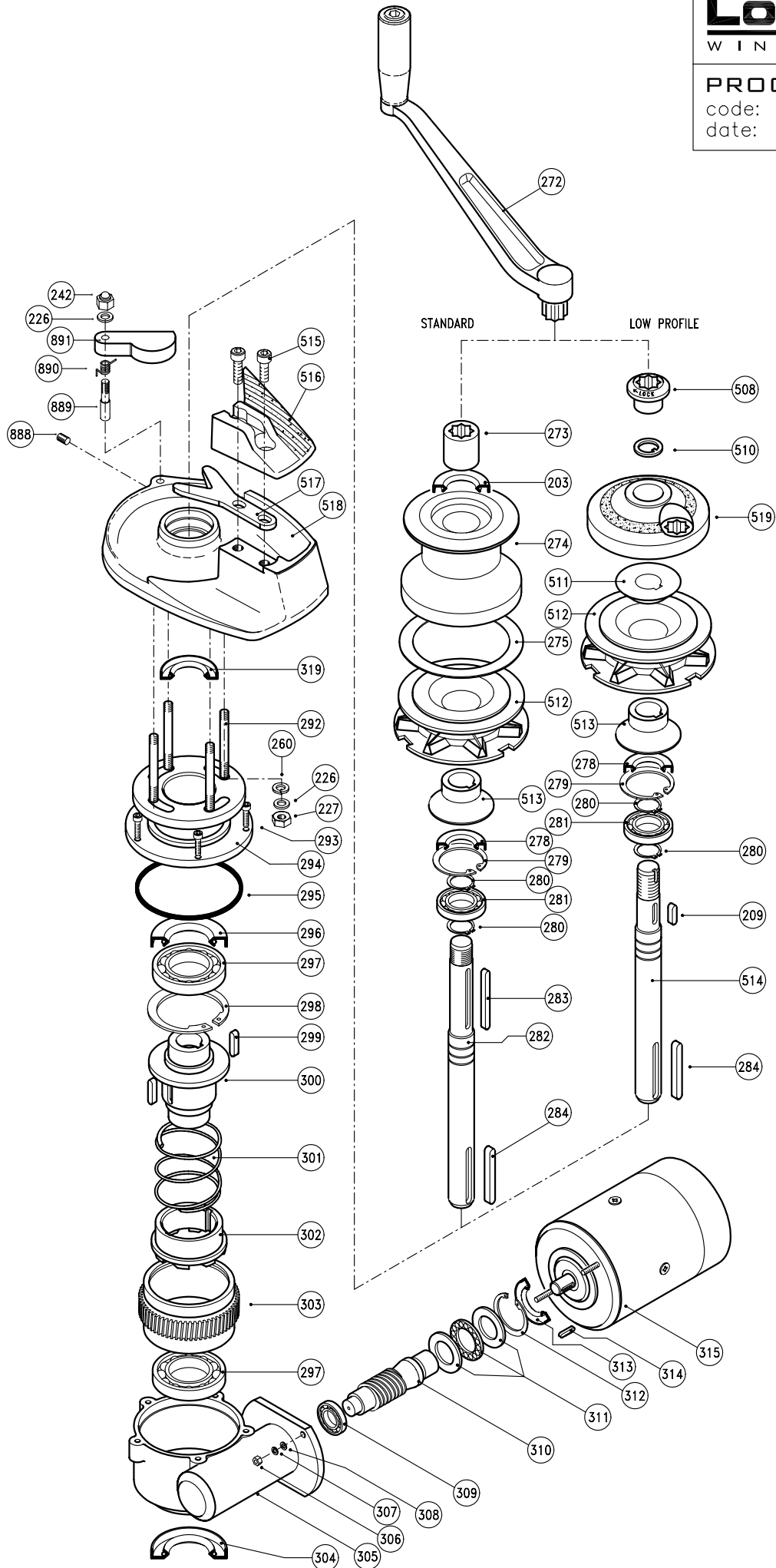
Consultar la lista de recambios para identificarlos. Al pedir recambios deberán especificar para el modelo PROGRESS clave **B.16.102A** indicando exactamente el modelo, número de serie, el número del recambio y la cantidad. Consultar al distributor o directamente a Lofrans' s.r.l. fax ++39 (039) 2004299.



### REMOTE CONTROL VEGA

### ROCKER SWITCH TYPE C







## LOFRANS' SALES ORGANIZATION

### **ARGENTINA**

DOMINGO P. PEDRONI S.A.I.C.  
9 de Julio 198 - 1646 S. Fernando - Bs..As.

### **AUSTRIA**

G.ASCHERL GmbH  
Erlengrund 38 - 6971 Hard

### **HARTMANN**

Hafenstrasse 5  
A - 6971 Hard a. Bodensee

### **BAHRAIN - ARABIAN GULF**

2000 MARINE STORES  
P.O. Box 26927  
Manama

### **BELGIUM**

HUNTER N.V.  
St. Bernardsesteenveg 858-864  
2660 Hoboken (Antwerpen)

### **CANADA**

REKORD MARINE ENTERPRISES Ltd.  
8194 Ontario Street  
Vancouver B.C. V5X 3E3

### **CANARY ISLANDS**

NORDEST - Roberto Origgi  
Ap. de Correo 10431  
38080 Santa Cruz de Tenerife

### **CARIBBEAN**

BUDGET MARINE N.V.  
P.O. Box 434  
25B Waterfront Road - Cole Bay - St. Maarten

### **CROATIA -SLOVENJA**

UNIMAR S.r.l.  
Via Valdirivio 26  
34134 Trieste-Italy

### **CYPRUS**

MERCURY DIVERS COMPANY LTD.  
15, Franklin Roosevelt Av. - Orphanides House  
P.O. Box 469 - Limassol

### **DENMARK**

PALBY MARINE A/S  
Bommerhavevej 41 Sletde  
DK 7100 Vejle

### **EGYPT**

MAPSO Marine Propulsion and Supply S.A.E.  
11(A) Mohamed Anis St.  
Zamalek - Cairo Tel. 02 340 3328

### **ENGLAND**

E.C. SMITH & SONS LTD.  
Unit H & J Kingsway - Industrial Estate, Kingsway  
Luton Beds , LU1 1LP

### **FINLAND**

OY MARITIM AB  
P.O. Box 46  
00211 Helsinki 21

### **FRANCE**

ACCASTILLAGE BERNARD  
880 Avenue Saint Exupéry  
06210 Mandelieu

### **AMIOT S.A.**

41, Quai Duguay-Trouin - Boîte Postale 106  
35407 Saint-Malo

### **ELECTRIC-AUTO-YACHTING S.A.R.L.**

6, Rue de la Paix  
13001 Marseille  
R.E.Y.A.  
144, Avenue de la Roubine  
06150 Cannes-La Bocca

### **SEIMI S.A.**

Rue Alain -Colas  
ZIP-Port du Moulin Blanc - Boîte Postale 243  
29272 Brest

### **VIDAL DIFFUSION MARINE**

Z.I. Toulon EST  
Toulon Cedex 9

### **GERMANY**

S.V.B.  
Gelsenkirchener st. 25  
28199 Bremen

### **GREECE**

ALEX MARINE  
5 Leocharous Str.  
185 31 Piraeus

### **HONG KONG**

ELCO MARINE & ENGINEERING LTD.  
20 Yip Fung Street  
Unit 6 , G/F - Lincoln Centre - Fanling  
New Territories HONG KONG

### **HOLLAND**

VETUS DEN OUDEN N.V.  
Fokkerstrat 571  
3125 Bd Schiedam

### **HUNGARY**

MIMOKER Co.  
Orso' Utca 3  
H 1026 Budapest

### **ISRAEL**

ATLANTIS MARINE LTD  
147 Kikar Atarim  
169 Hayarkon Str. - Tel Aviv 63453

### **LEBANON**

MARINE DIFFUSION  
B.P. 8389 Beyrouth

### **MALTA**

INTERNATIONAL MARINE CENTRE  
Ta'Xbiex Palace  
Testaferrata Street Msida Tel. 332747

### **NEW CALEDONIE**

LIMOUSIN MARINE  
70, R.te du Port Despointes-B. P. 701  
Noumea

### **NEW ZELAND**

EUROMARINE  
P.O. BOX 10144  
Dominion Road-Aukland 10

### **NORWAY**

TELMO CONTROL A.S.  
Rolf Hofmos GT. 18 - Postboks 2906 Toyen  
0608 OSLO 6

### **POLAND**

MAZURIA  
11 214 Galiny 2

### **PORTUGAL**

NAUTICOR  
Rua Bartolomeu Dias 172 A/D  
1400 Lisboa

### **SINGAPORE**

AMERICAN MARINE (S) PTE LTD.  
No. 26 Jalan Terusan  
Jurong Town Singapore 2261

### **SOUTH AFRICA**

MANEX & POWER MARINE (PTY) LTD.  
19 Dorsetshire Street - P.O. Box 182  
7420 Paarden Eiland-Cape Town

### **SPAIN**

La Industrial Velera Masal S.A.  
Muntadas 8 y 10  
08014 Barcelona  
Imnasa S.A.  
Adva. Zaragoza 73/75  
17220 Sant Feliu de Giuxols (Girona)

### **SWEDEN**

ITALNORDIC  
Företagsvägen - Box 12  
440 90 Henan

### **TAIWAN**

GENCO MARINE LTD.  
Suite 5F 5 169 Min Shen East Road, Sec.5  
P.O. Box 87-908 - Taipei Taiwan 10582

### **TURKEY**

CARKCI DENIZCILIK San.Ve.Tic.Ltd. Sti.  
Ozek skt tersalener yolu nuh sanayi sitesi 36  
Icmeler Tusla - Istanbul

### **U.S.A.**

IMTRA CORPORATION  
30 Samuel Barnett Blvd  
New Bedford Industrial Park - New Bedford  
Massachusettes 02745